

THERMALINE

BeerCalc

Hot Liquor Heat Exchanger (shell and tube)

These specifications were provided through Thermaline's sizing calculators on March 20th, 2025.

Unit part number:

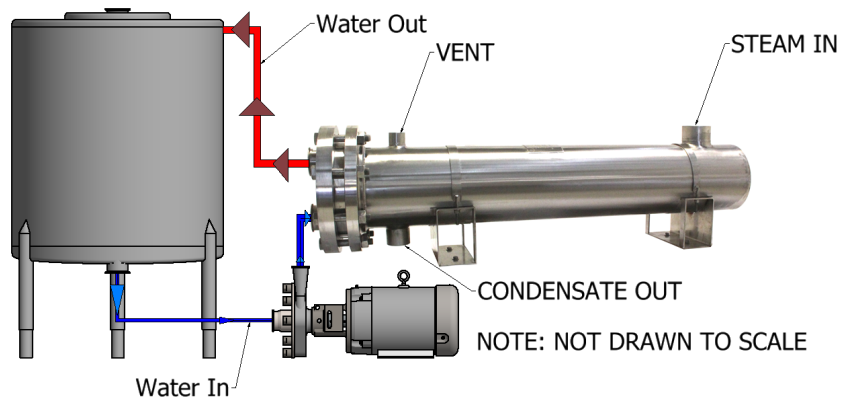
HYGX-408-2-36-44-01

Unit description:

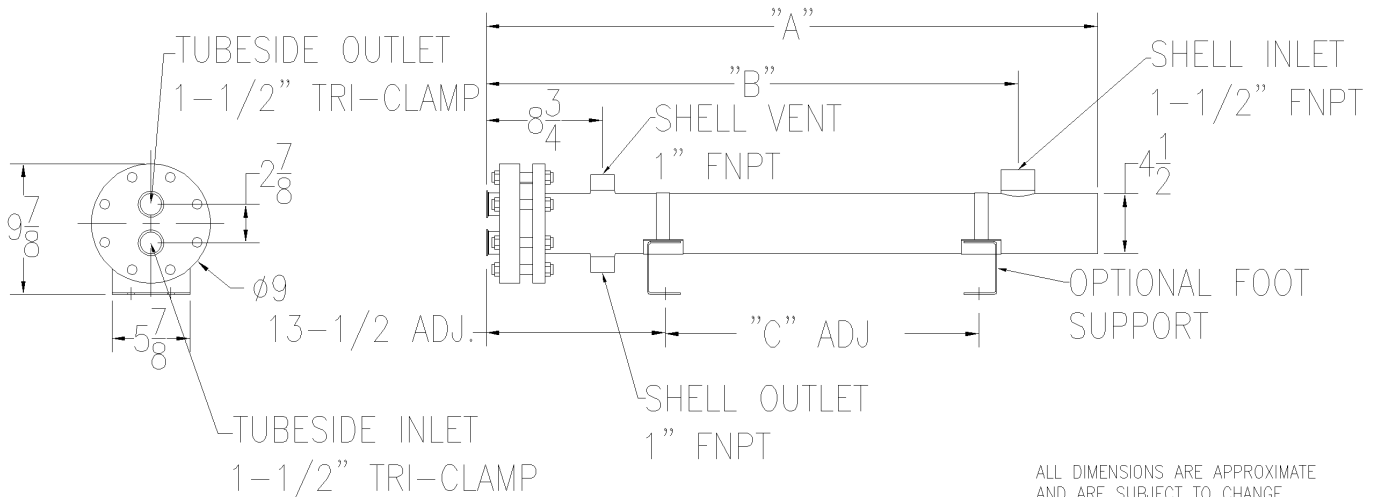
Thermaline Shell & Tube model HYGX-408-2-36-44-01 ASME Sec. 8 Div. 1 Shell and tube heat exchanger. 304 SS shell/304 SS tube bundle. Polished with water-side tri-clamp connections.

Specifications

Brew size	15 bbls
Heat up time	3 hours
Min. recirc. rate	10 GPM
Max. BTU/hr	180,000 BTU/hr
Steam pressure	10 psi
Temperature in	50°F
Temperature out	190°F




Standard hot liquor heat exchanger setup



Dimensions: A: 46.0"; B: 40.0"; C: 23.5

Plates are constructed of 304SS unless specified otherwise.

Prices quoted do not include freight or shipping. Any Federal, State, or Local Taxes and Import, Export or Foreign Duties are the responsibility of the Buyer. We reserve the right to add a service charge to overdue accounts. [Thermaline Terms & Conditions](#).

 Proudly manufactured in the U.S.A. by Thermaline • Auburn, WA • Thermaline.com 