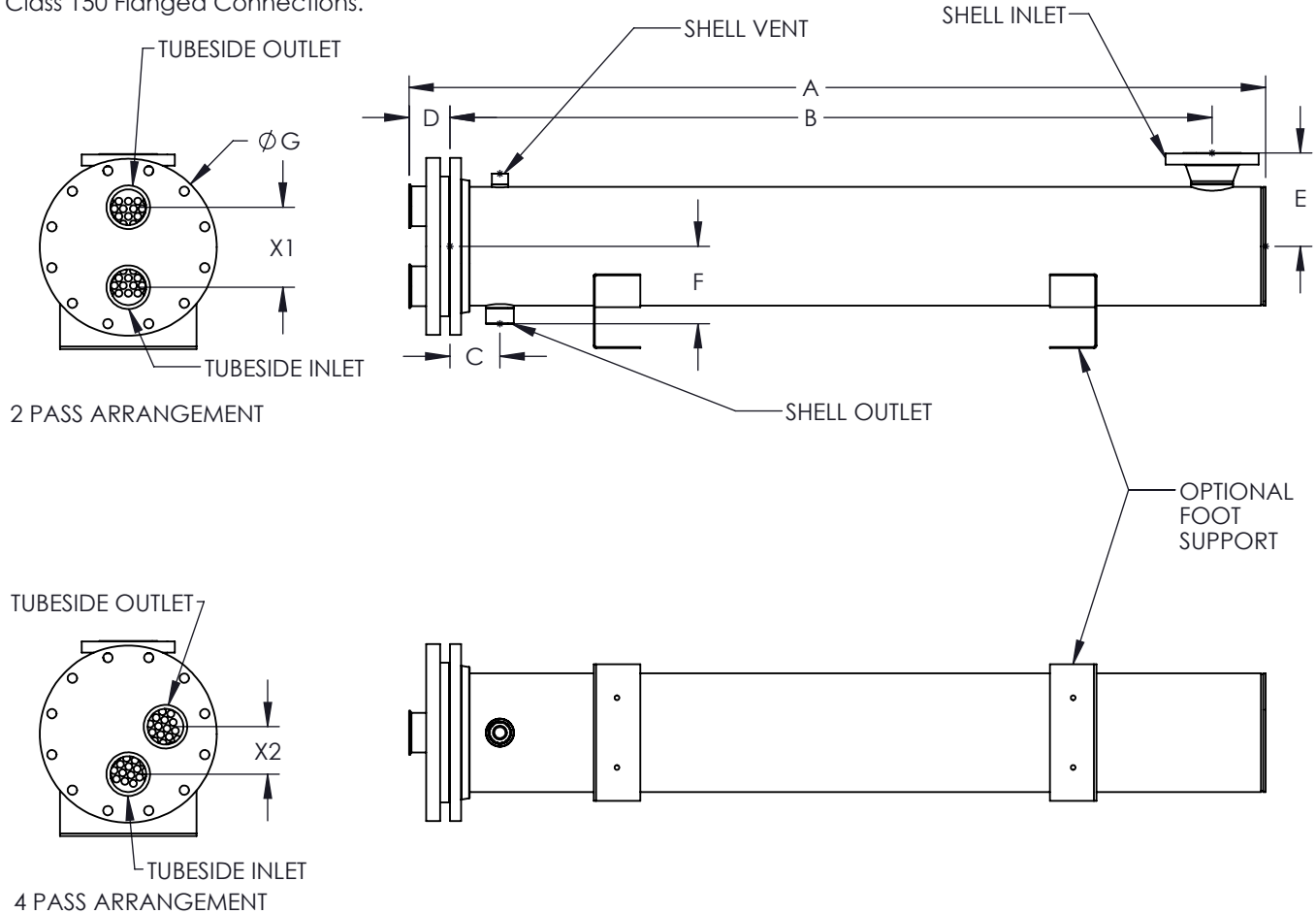


MODEL HYGX 12"

The 12" Shell & Tube is a large capacity U-Tube heat exchanger. It is available in several sizes and can accommodate flow rates up to 450 gallons per minute. The 12" Shell & Tube has optional foot supports that are suitable for floor or frame installation. Shells are available in 304 stainless steel and tube bundles are available in 304 or 316 stainless steel (other materials available upon request). Port Connections are available as ASME Tri-Clamp, FNPT Connections, or Class 150 Flanged Connections.



SPECIFICATIONS:

MODEL	A	B	C	D	E	F	G	X ₁	X ₂	SHELL INLET	SHELL OUTLET	TRI-CLAMP SIZE
12x24	44"	33.86"	5.25"	4.399"	10"	8.315"	19"	8.586"	5.097"	4" 150# FLG	2" NPT	4"
12x36	56"	45.86"	5.25"	4.399"	10"	8.315"	19"	8.586"	5.097"	4" 150# FLG	2" NPT	4"
12x54	74"	63.86"	5.25"	4.399"	10"	8.315"	19"	8.586"	5.097"	4" 150# FLG	2" NPT	4"
12x72	92"	81.86"	5.25"	4.399"	10"	8.315"	19"	8.586"	5.097"	4" 150# FLG	2" NPT	4"
12x84	104"	93.86"	5.25"	4.399"	10"	8.315"	19"	8.586"	5.097"	4" 150# FLG	2" NPT	4"
12x114	134"	123.86"	5.25"	4.399"	10"	8.315"	19"	8.586"	5.097"	4" 150# FLG	2" NPT	4"

ALL DIMENSIONS ARE APPROXIMATE AND SUBJECT TO CHANGE